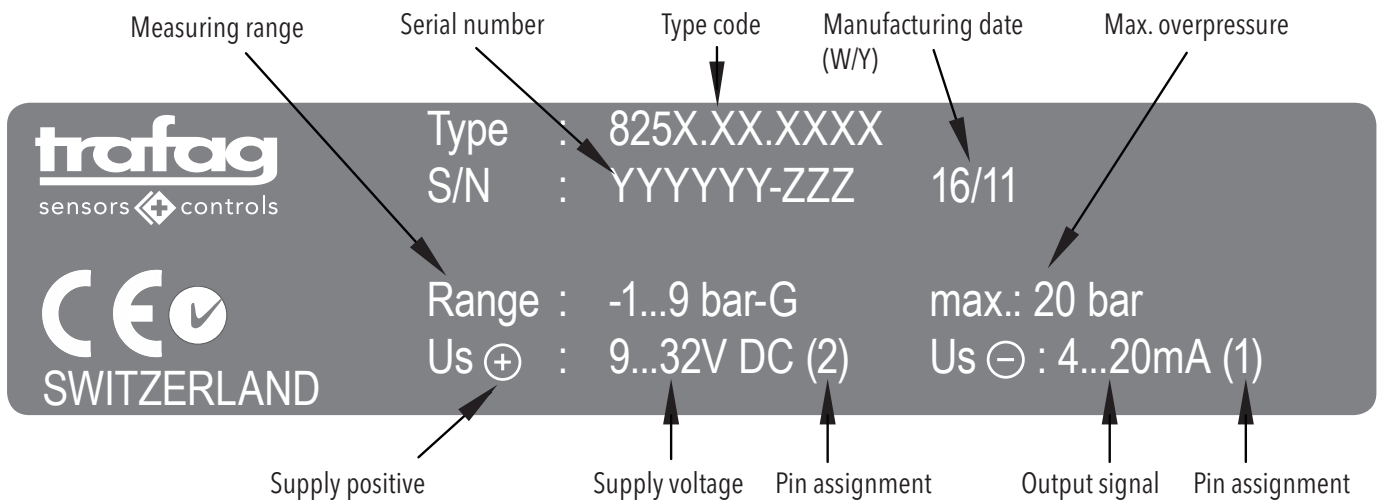


Technical specification

Mounting torque: 25 Nm
 Operating temperature: -40°C ... +125°C
 (cable PVC 22: -5 ... 60 °C)
 (cable PUR 24: -40 ... 70 °C)
 Media temperature: -40°C ... +125°C

Type label description


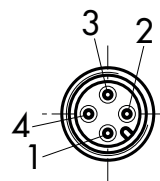
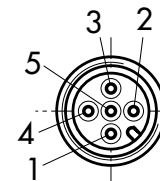
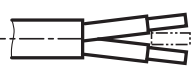


The type label contains the following information:

- Measuring range:** Range : -1...9 bar-G
- Serial number:** S/N : YYYYYY-ZZZ
- Type code:** Type : 825X.XX.XXXX
- Manufacturing date (W/Y):** 16/11
- Max. overpressure:** max.: 20 bar
- Supply positive:** Us ⊕ : 9...32V DC (2)
- Supply voltage:** (indicated by arrow pointing to '9...32V')
- Pin assignment:** (indicated by arrow pointing to '(2)')
- Output signal:** Us ⊖ : 4...20mA (1)
- Pin assignment:** (indicated by arrow pointing to '(1)')

H73303h Trafag AG 06/2016

Electrical connections

Ingress Protection	IP65 ²⁾³⁾	IP67 ²⁾³⁾	IP67 ²⁾³⁾	IP67 ³⁾
Designation	Industrial standard	M12x1 4-pol.	M12x1 5-pol.	Cable
Type code	825X.XX.XXXX 01	825X.XX.XXXX 32	825X.XX.XXXX 35	825X.XX.XXXX 22/24/08
Pin configuration				 RD: red BK: black WH: white GN: green BN: brown YE: yellow

Output

4 ... 20 mA
 0.5 ... 4.5 VDC
 0 ... 5 VDC
 1 ... 5 VDC
 1 ... 6 VDC
 0 ... 10 VDC
 0.1 ... 10.1 VDC
 0.5 ... 4.5 VDC ratiom.

Load resistance

see graphic
 ≥ 5.0 kΩ to Us -
 ≥ 5.0 kΩ to Us -
 ≥ 5.0 kΩ to Us -
 ≥ 5.0 kΩ to Us -
 ≥ 5.0 kΩ to Us -
 ≥ 5.0 kΩ to Us -
 ≥ 5.0 kΩ to Us -
 ≥ 5.0 kΩ to Us -

ISUPPLY

≤ 20 mA
 ≤ 20 mA
 ≤ 20 mA
 ≤ 20 mA
 ≤ 20 mA
 ≤ 15 mA
 ≤ 15 mA
 ≤ 10 mA

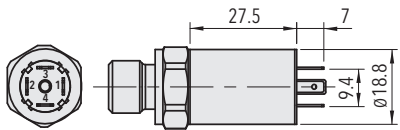
USUPPLY

24 (9 ... 32) VDC
 24 (9 ... 32) VDC
 24 (9 ... 32) VDC
 24 (9 ... 32) VDC
 24 (9 ... 32) VDC
 24 (15 ... 32) VDC
 24 (15 ... 32) VDC
 5 (4.75 ... 5.25) VDC

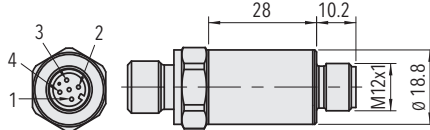
²⁾ Provided female connector is mounted according to instructions

³⁾ Ventilation via male electrical plug/ cable

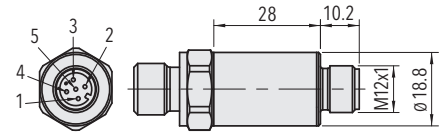
Electrical connections



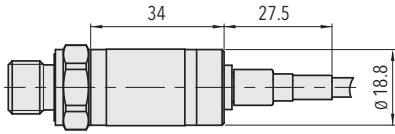
825X.XX.XXXX **01**.XX.XX



825X.XX.XXXX **32**.XX.XX

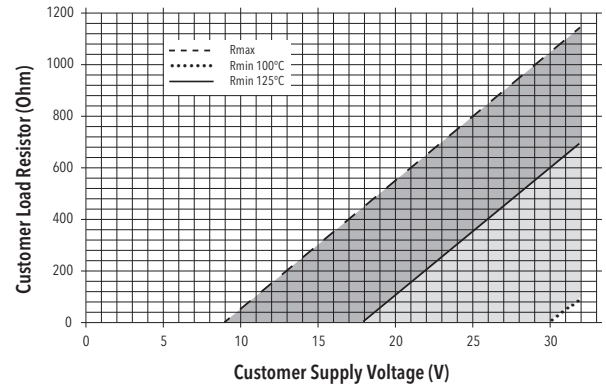


825X.XX.XXXX **35**.XX.XX

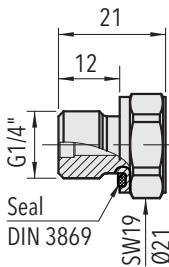


825X.XX.XXXX **22/24/08**.XX.XX

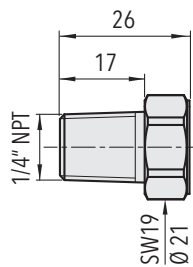
4...20mA: min./max resistor vs. supply voltage @ Pmax = 100%



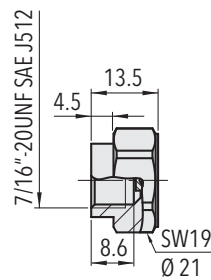
Pressure connections



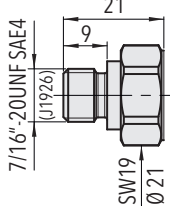
825X.XX.XX **17**.XX



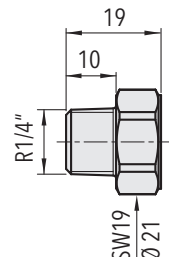
825X.XX.XX **30**.XX



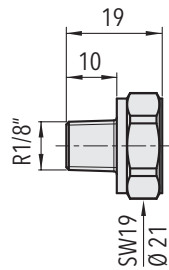
825X.XX.XX **24**.XX



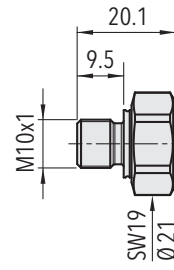
825X.XX.XX **42**.XX



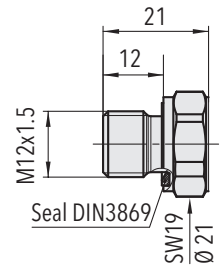
825X.XX.XX **19**.XX



825X.XX.XX **16**.XX



825X.XX.XX **32**.XX

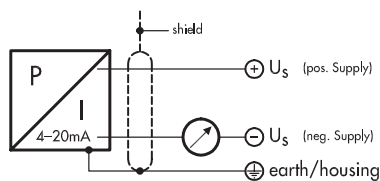


825X.XX.XX **49**.XX

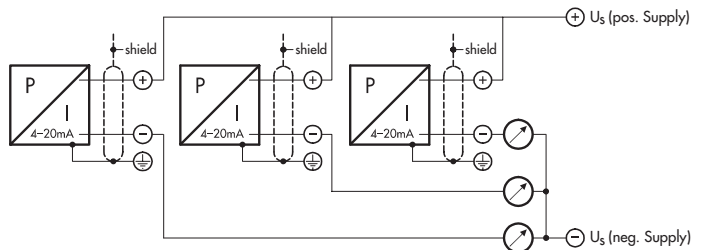
Connection of the measuring equipment

Current output
2-wires

single arrangement

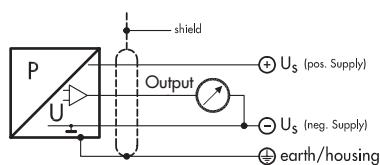


multiple arrangement



Voltage output
3-wires

single arrangement



multiple arrangement

